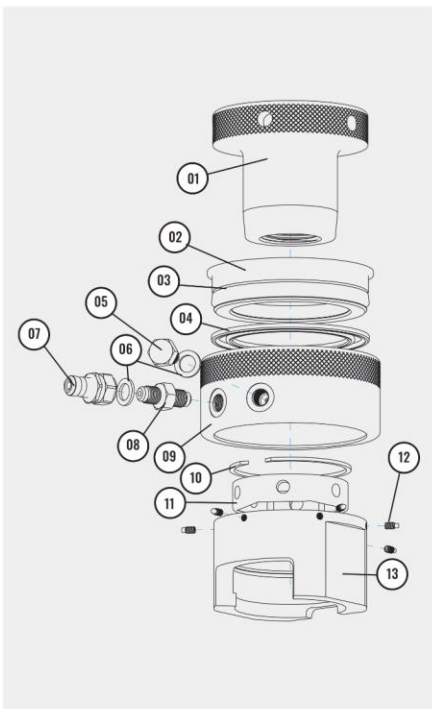




STANDARD RANGE HYDRAULIC BOLT TENSIONERS

Our T-Series Hydraulic Bolt Tensioners are a standard range designed for general use on topside applications.

SPECIFICATIONS

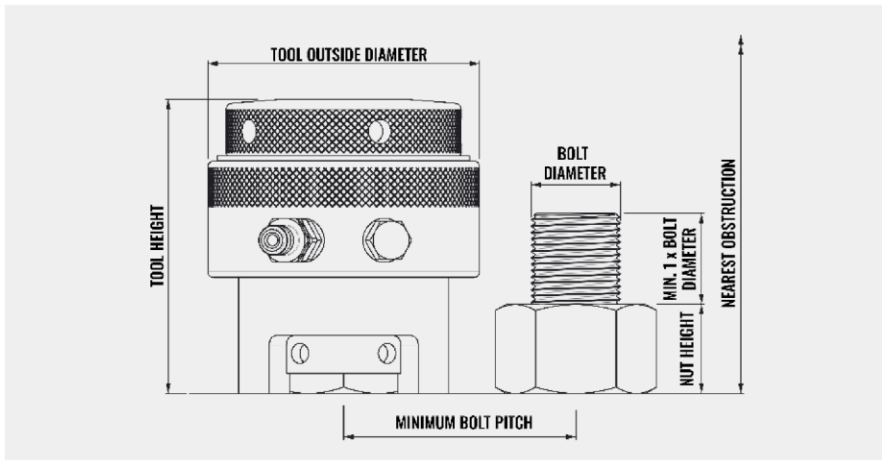


PART REFERENCE	DESCRIPTION
01	Puller
02	Piston
03	Indicator Ring
04	Seal Kit
05	Blanking Plug
06	Bonded Washer Seal*
07	Male Quick Connector
08	Male-Male Adapter
09	Body
10	Snap Ring
11	Socket
12	Grub Screw
13	Bridge

- Designed to fit most ANSI B16.5, MSS SP-44 and AP117D flanges.
- Compatible with imperial and metric bolts from 3/4"-4" (M16-M100).
- 1500 bar maximum working pressure.
- Each tool comprises of a hydraulic cylinder, bridge, puller, and socket.
- Interchangeable adapter kits fit a common hydraulic cylinder capable of tightening multiple bolt sizes.

BENEFITS

- High wear and corrosion resistant surface treatment.
- Internal features to compensate for joint misalignment.
- Tools can be connected in sequence, improving operation speed and ensuring even joint compression.
- Available from stock.



TECHNICAL AND DIMENSIONAL DATA

- Nut height is assumed 1 x Bolt Diameter.
- All tools are 15 mm stroke except Tool Nunber 21, which is 12mm.
- Thread pitch for metric bolt sizes will be metric coarse.
- Thread pitch for imperial bolt sizes will be UNC up to 1 inch and UN8 for 1-1/8 inch upwards.

TOOL NUMBER AND SPECIFICATION			BOLT DIAMETER		MINIMUM BOLT PITCH		WEIGHTS		
			in	mm	in	mm	Component	lbs	kg
Tool Number	21		-	M16	2.1	53	Full Tool	5.0	2.3
Hydraulic Area	1555 mm ² 2.41 in ²		3/4	M20	2.1	53	Cylinder	2.4	1.1
Maximum Load	233 kN 52.4 klbf		7/8	M22	2.1	53	Bridge	0.8	0.4
Tool Outside Diameter	73 mm 2.9 in	1	M24	2.4	62	Puller	1.5	0.7	
Nearest Obstruction	145 mm 5.7 in	1-1/8	M27	2.4	62	Socket	0.2	0.1	
Tool Height	102 mm 4.0 in	-	-	-	-	-	-	-	
Tool Number	22		1-1/8	M27	2.4	62	Full Tool	12.4	5.7
Hydraulic Area	2884 mm ² 4.47 in ²	1-1/4	M30	2.9	73	Cylinder	6.2	2.8	
Maximum Load	433 kN 97.3 klbf	-	M33	2.9	73	Bridge	2.2	1	
Tool Outside Diameter	105 mm 4.1 in	1-3/8	M36	3.2	81	Puller	3.7	1.7	
Nearest Obstruction	175 mm 6.9 in	1-1/2	M39	3.3	83	Socket	0.3	0.15	
Tool Height	131 mm 5.2 in	-	-	-	-	-	-	-	
Tool Number	23		1-1/2	M39	3.3	83	Full Tool	21.1	9.6
Hydraulic Area	5271 mm ² 8.17 in ²	1-5/8	M42	3.7	93	Cylinder	9.0	4.1	
Maximum Load	791 kN 177.8 klbf	1-3/4	M45	3.8	96	Bridge	4.4	2	
Tool Outside Diameter	136 mm 5.4 in	1-7/8	M48	4	101	Puller	7.0	3.2	
Nearest Obstruction	200 mm 7.9 in	2	M52	4.1	104	Socket	0.7	0.3	
Tool Height	147 mm 5.8 in	-	-	-	-	-	-	-	
Tool Number	24		2	M52	4.1	104	Full Tool	35.9	16.3
Hydraulic Area	8445 mm ² 13.09 in ²	2-1/4	M56	4.8	123	Cylinder	13.9	6.3	
Maximum Load	1267 kN 284.8 klbf	2-1/2	M64	5.1	129	Bridge	8.1	3.7	
Tool Outside Diameter	172 mm 6.8 in	-	-	-	-	Puller	12.3	5.6	
Nearest Obstruction	230 mm 9.1 in	-	-	-	-	Socket	1.5	0.7	
Tool Height	168 mm 6.6 in	-	-	-	-	-	-	-	
Tool Number	25		2-1/2	M64	5.1	129	Full Tool	55.7	25.3
Hydraulic Area	12197 mm ² 18.91 in ²	2-3/4	M72	5.9	150	Cylinder	20.9	9.5	
Maximum Load	1830 kN 411.4 klbf	3	M76	6.1	154	Bridge	14.5	6.6	
Tool Outside Diameter	200 mm 7.9 in	-	-	-	-	Puller	18.0	8.2	
Nearest Obstruction	255 mm 10.0 in	-	-	-	-	Socket	2.2	1	
Tool Height	188 mm 7.4 in	-	-	-	-	-	-	-	
Tool Number	22		3	M76	6.1	154	Full Tool	79.3	36.1
Hydraulic Area	16682 mm ² 25.86 in ²	3-1/4	M80	6.9	176	Cylinder	28.1	12.8	
Maximum Load	2502 kN 562.5 klbf	3-1/2	M90	7.3	185	Bridge	20.0	9.1	
Tool Outside Diameter	235 mm 9.3 in	-	-	-	-	Puller	28.4	12.9	
Nearest Obstruction	288 mm 11.3 in	-	-	-	-	Socket	2.9	1.3	
Tool Height	212 mm 8.4 in	-	-	-	-	-	-	-	
Tool Number	22		3-1/2	M90	7.3	185	Full Tool	91.1	41.4
Hydraulic Area	17530 mm ² 27.17 in ²	3-3/4	M95	7.5	191	Cylinder	30.1	13.7	
Maximum Load	2629 kN 593.3 klbf	4	M100	7.8	197	Bridge	26.8	12.2	
Tool Outside Diameter	245 mm 9.7 in	-	-	-	-	Puller	29.7	13.5	
Nearest Obstruction	320 mm 12.6 in	-	-	-	-	Socket	4.4	2	
Tool Height	227 mm 8.9 in	-	-	-	-	-	-	-	

NOTE: Items in brown are standard tools but are not held in stock. For price and delivery please contact the sales department.

HYTORC owns all content, copyrights, trademarks and patents in this document. © 2021 HYTORC. Any unauthorized use or distribution of any material from this document is strictly prohibited.

